

TRUNNION
FLOATING
MULTI-PORT
SEVERE SERVICE
BLOCK & BLEED
CRYOGENIC
CUSTOM

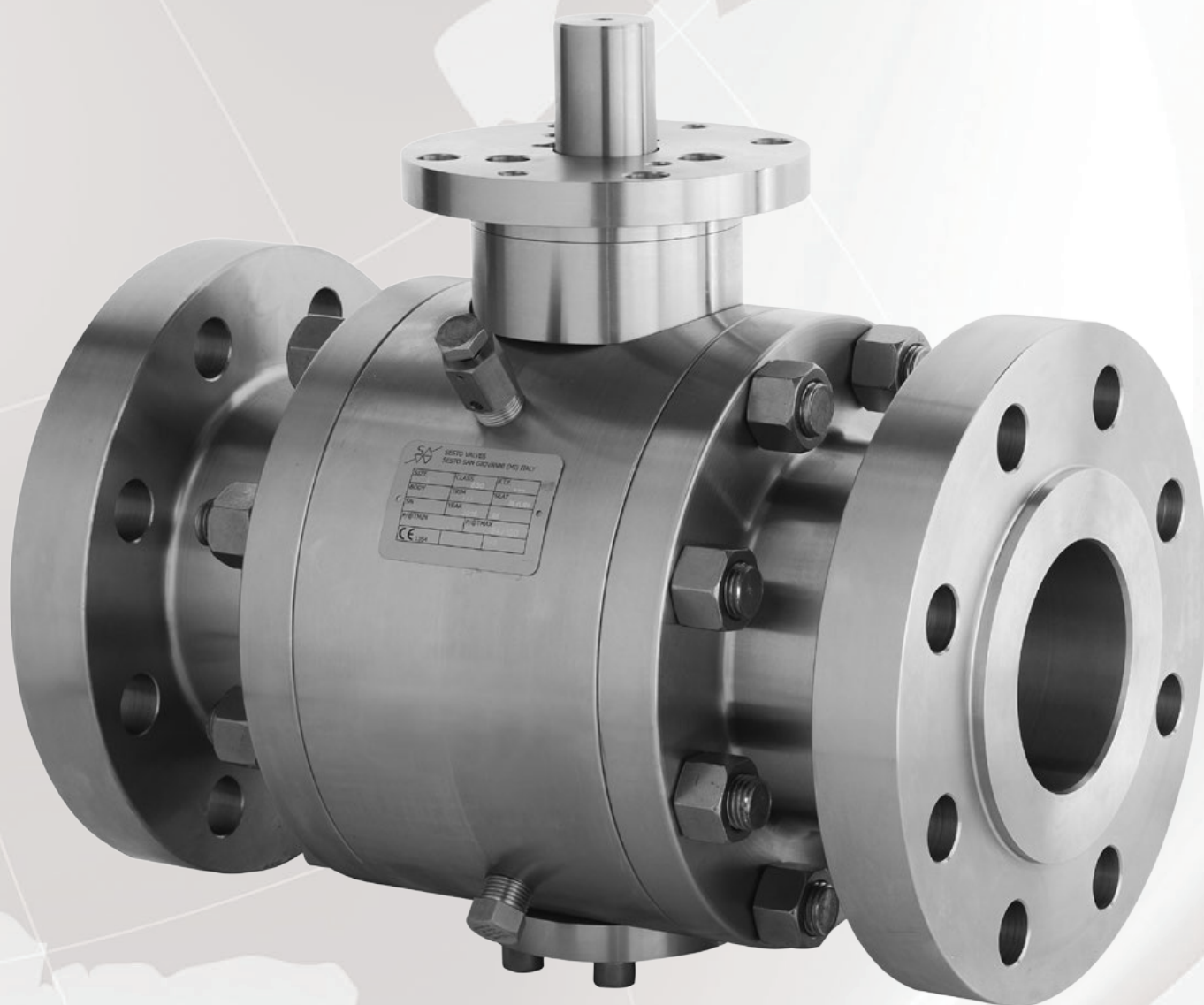
PED



NACE



SIL2
Safety Integrity Level



Via Di Vittorio 307/25 - 20099 Sesto San Giovanni (MI) - Italy
Tel: +39.028.976.1628 - Fax: +39.028.976.2167
www.sestovalves.com - sales@sestovalves.com

Introduction



Sesto Valves is a premium high performance ball valve manufacturer headquartered in Sesto San Giovanni, Italy. We source only the best materials from our global partners to ensure quality and competitive pricing.

Our valves are 100% manufactured and tested in Italy so we can control our product quality and provide easy traceability. Sesto Valves offers a full line-up of floating or trunnion mounted ball valves, 3-way multiport ball valves, fully welded ball valves and double-block-and-bleed ball valves suitable for any application ranging from standard duty to critical service, including exotic materials and super alloys.

Our products can be supplied as simple manual shutoff valves or with customized automation and controls for unique requirements. Focused on the chemical, petrochemical and energy industry, Sesto Valves provides solutions for exploration, production and distribution as well as a wide variety of industrial applications.



CITY OF SESTO SAN GIOVANNI



Europe

World Headquarters
Sesto SG, Italy
Via Di Vittorio 307/25
20099 Sesto SG
Italy
Tel: +39.028.976.1628
Fax: +39.028.976.2167



North America

O'Fallon, Missouri
751 Hoff Road
O'Fallon, MO 63366
United States
Tel: +1.636.272.4934
Fax: +1.636.272.4937



Asia

Jinan, China
Room 606 Tongyuan
Building, No.68
Tongyuanju Front Street,
Jinan 250012
China
Tel: +86.0531.86917039
Fax: +86.0531.86917039

Materials

Body: Carbon Steel	A105N
Low Temp Carbon Steel	A350 GR LF2, LF3 A694 GR F42-F70
Martensitic Stainless Steel	A182 GR F6A, F6NM
Martensitic Precipitation	A564 GR 630 (17-4/PH)
Austenitic Stainless Steel	A182 GR F316, F316L, F321
Duplex & Super Duplex	A182 GR F51, F53, F55
Super Alloy, Precipitation	A638 GR 660 (iron base)
Nickel Chromium Alloy	Inconel® Alloy 625, 718 Incoloy® Alloy 825

Ball: LF2, F6, F304, F316, Duplex, Inconel®, Incoloy®, Monel

Stem: F6A, AISI 410, F304, F316, G630 17-4/PH, Duplex, Inconel, Monel

Seat Insert: PTFE, RPTFE Carbon, PCTFE (KEL-F), STFE, TFM, CTFM, Nylon, Nylon 6, Viton, PFA, Devlon, Delrin, PEEK

Hardware: B7/2H, L7/Gr.7, B8M/Gr. 8M, F51

Certifications and Compliance

Sesto Valves are designed and manufactured to internationally recognized standards including but not limited to the following:

Fire Testing: API 607, API 6FA, BS 6755 Part II

Testing: API 6A, API 598, API 17D, ISO 5208, BS 6755 Part I

Marking: API 6A, MSS-SP-25, PED

Certifications: API607, SIL, NACE, MR0175, PED, Fugitive Emissions

Design

Valve: API 6D/6A, ASME B16.34, ASME VIII, ASME B31.3

Ends: ASME B16.5, ASME B16.47, API 605, API 6A, ASME B16.25

Face-to-Face: API 6D, ASME B16.10, API 6A

Pressure: ASME B16.34

Temperature: ASME B16.34

Bleed: API 6D/6A, MSS SP-45

Anti-Static: BS 5351

Materials: ASTM, AISI, UNS, NACE MR 01 03

Fire: API 6FA, API 607, BS 6755 Part II

Testing: API 6D, ISO 5208, API 6A, BS 6755 PT 1, API 598, API 17D

Marking: MSS SP-25, API 6D/6A

Features and Benefits

- Class 150 to Class 2500
- Full and Reduced Bore
- Body Wall Thickness ASME B16.34, Forged or Cast Versions
- Face-to-Face Dimensions API 6D, ASME B16.10, HUB on Request
- Drain and Vent Body Configurations
- Emergency Sealant Injectors as Standard
- Blowout Proof, Low Torque Guided Stem Design
- Anti-Static Device and Live-Loaded Packing
- Wide Range of Soft Seat and Metal Seat Options
- Single or Double Piston Effect on Request
- Manual, Electric, Pneumatic, or Electro-Hydraulic Operators Available
- Custom Face-to-Face Lengths Available per Customer Requirement

Partial List of Service Applications

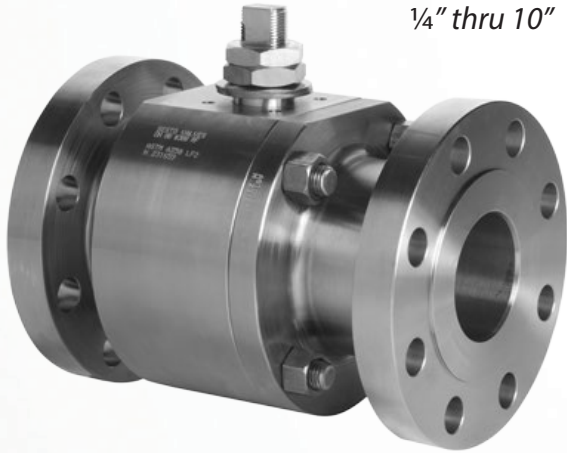
- General Service
- Ambient Low Temperatures (-46°C)
- Cryogenic (-196°C)
- High Temperature
- High Pressure
- Underground, Off-Shore
- Oil & Gas Transportation, Drilling, Distribution
- Gas Compression Processes
- Liquefied Natural Gas Handling and Transportation
- ESD Emergency Shut Down
- Sour Service

Testing per API Requirements



Product Scope

Floating Ball Valves



150# to 2500#
1/4" thru 10"

- Class 150 to Class 2500
- Size Range 1/4" thru 10" (Class Dependent)
- Full and Reduced Bore
- Body Wall Thickness ASME B16.34, Forged or Cast Versions
- End Connections: SW, BW, RF, RTJ, NPT, BSP, Special
- Fire-Safe Design API 607
- Blowout Proof, Low Torque Guided Stem Design
- Anti-Static Device and Live-Loaded Packing
- Fugitive Emissions ISO 15848
- Wide Range of Soft Seat and Metal Seat Options
- Manual, Electric, Pneumatic, or Electro-Hydraulic Operators Available
- Custom Face-to-Face Lengths Available per Customer Requirement

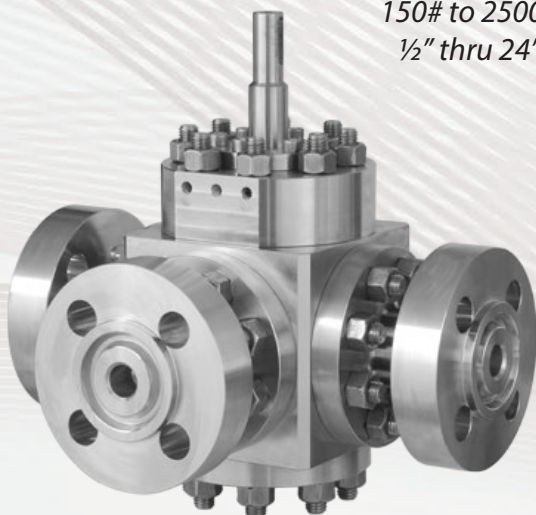
Trunnion Ball Valves



150# to 2500#
2" thru 24"

- Class 150 to Class 2500
- Size Range 2" thru 24" (Class Dependent)
- Full and Reduced Bore
- Body Wall Thickness ASME B16.34
- End Connections: RF, RTJ, BW, SW, NPT, BSP, Special
- Fugitive Emissions ISO 15848
- Fire-Safe Tested API 607
- Emergency Sealant Injectors Optional
- Anti-Static Device and Live-Loaded Packing
- Guided Seat Design
- Blowout Proof, Low Torque Guided Stem Design
- Wide Range of Soft and Metal Seated Options
- Manual, Electric, Pneumatic, or Electro-Hydraulic Operators Available
- Custom Face-to-Face Lengths Available

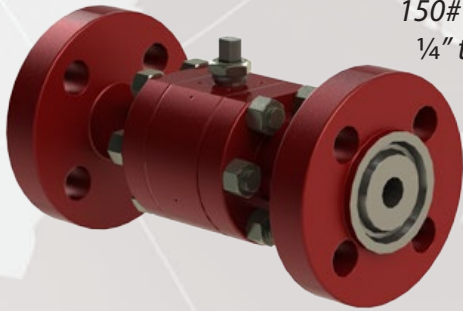
Multiport Ball Valves



150# to 2500#
1/2" thru 24"

- Class 150 to Class 800
- Size Range 1/2" thru 4" (Class Dependent)
- Custom Sizes by Request
- 3-Way and 4-Way Configurations (T, L, Double L)
- 4-Seat Design, Universal Inlet/Outlet
- Floating Full and Reduced Bore
- Single Body Construction (No Top Flange)
- Fire-Safe Design API 607 Available
- Blowout Proof, Low Torque Guided Stem Design
- Anti-Static Device and Live-Loaded Packing
- Fugitive Emissions ISO 15848
- Wide Range of Soft Seat and Metal Seat Options
- A105N, LF2, LF3, Forged Body Options
- Special Materials Available Upon Request

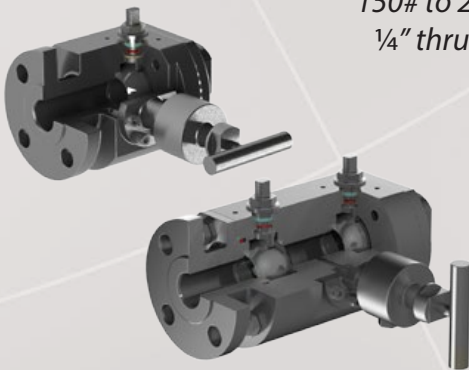
Severe Service



150# to 2500#
¼" thru 24"

- Class 150 to Class 2500
- Size Range ½" thru 24" (Class Dependent)
- *Metal Seated Class V and Class VI Shutoff*
- Uni-Directional and Bi-Directional Service
- Floating and Trunnion, Full and Reduced Bore
- Body Wall Thickness ASME B16.34, Forged or Cast Versions
- Fire-Safe Design API 607
- Blowout Proof, Low Torque Guided Stem Design
- Live-Loaded Packing and Anti-Static Capable
- Fugitive Emissions ISO 15848
- Various Coatings and Materials Available
- Extended Bonnet/Stems Available
- Custom Designs Available per Customer Requirement

Block & Bleed



150# to 2500#
¼" thru 16"

- Class 150 to Class 2500
- Size Range ¼" thru 16" (Class Dependent)
- Single and Double Isolation, Multi-Port Designs Available
- Floating and Trunnion, Full and Reduced Bore
- Bolted Body Facilitates Inline Maintenance
- Venting Designs in Multiple Configurations
- Fire-Safe Design API 607
- Fugitive Emissions ISO 15848
- Wide Range of Soft Seat and Metal Seat Options
- Custom Face-to-Face Lengths Available per Customer Requirement

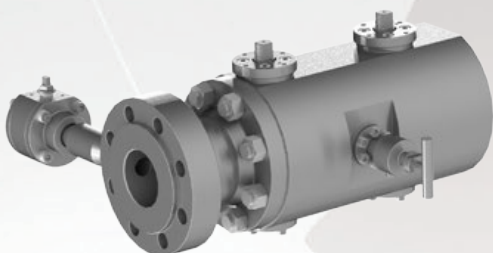
Cryogenic



150# to 2500#
¼" thru 12"

- Class 150 to Class 2500
- Size Range ¼" thru 12" (Class Dependent)
- Floating and Trunnion, Full and Reduced Bore
- Body Wall Thickness ASME B16.34, Forged or Cast Versions
- Cryogenic tested to -196°C (-320°F)
- Fire-Safe Design API 607
- Vented Ball Standard
- Blowout Proof, Low Torque Guided Stem Design
- Live-Loaded Packing and Anti-Static Capable
- Fugitive Emissions ISO 15848
- PTFE, TFM, CTFM, PCTFE (KEL-F®) and Metal Seats Available
- Valves are degreased, cleaned and packaged prior to shipping
- Custom Face-to-Face Lengths Available per Customer Requirement
- Manual, Electric, Pneumatic, or Electro-Hydraulic Operators Available

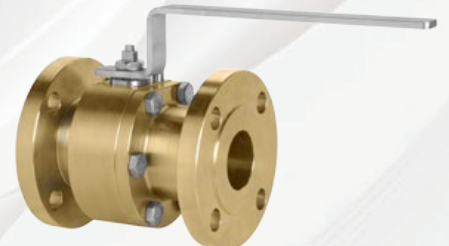
Custom Applications



Block-Bleed-Block
Vent Valve



Automated Class #2500
MNPT x MNPT



ASTM B505 C95800
Nickel Aluminum Bronze



Worldwide Headquarters
Via Di Vittorio 307/25 - 20099 Sesto San Giovanni (MI) - Italy
Tel: +39.028.976.1628 - Fax: +39.028.976.2167
www.sestovalves.com - sales@sestovalves.com